

This is the Revision A version of the IRDistanceHolder Module. The status of this project is work in progress.

IRDistanceHolder Module (Revision A)

Table of Contents

This document is also available in PDF format.

- 1. Introduction
- 2. Hardware
 - ◆ 2.1 Circuit Schematic
 - ◆ 2.2 Printed Circuit Board
- 3. Issues

1. Introduction

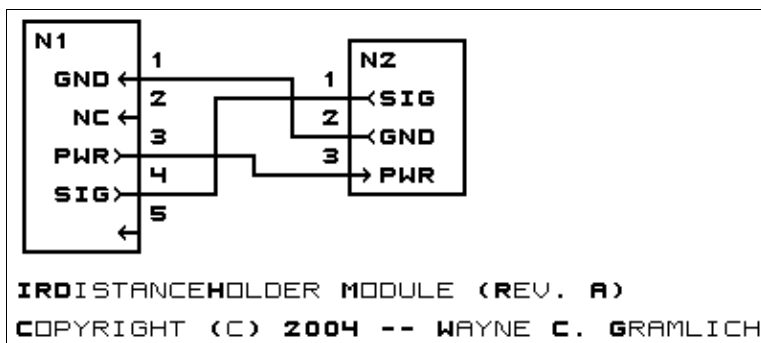
The IRDistanceHolder Module is used to connect operate one Sharp[®] GP2D12 IROD (InfraRed Optical Distance) measuring sensor to an IR Distance module.

2. Hardware

The hardware consists of a circuit schematic and a printed circuit board.

2.1 Circuit Schematic

The schematic for the IRDistanceHolder Module is shown below:



The parts list kept in a separate file --- irdistanceholder.ptl.

2.2 Printed Circuit Board

The printed circuit board files are listed below:

irdistanceholder_back.png

The solder side layer.

irdistanceholder_front.png

The component side layer.

irdistanceholder_artwork.png

The artwork layer.

irdistanceholder.gbl

The RS-272X "Gerber" back (solder side) layer.

irdistanceholder.gtl

The RS-272X "Gerber" top (component side) layer.

irdistanceholder.gal

The RS-272X "Gerber" artwork layer.

irdistanceholder.drl

The "Excellon" NC drill file.

irdistanceholder.tol

The "Excellon" tool rack file.

3. Issues

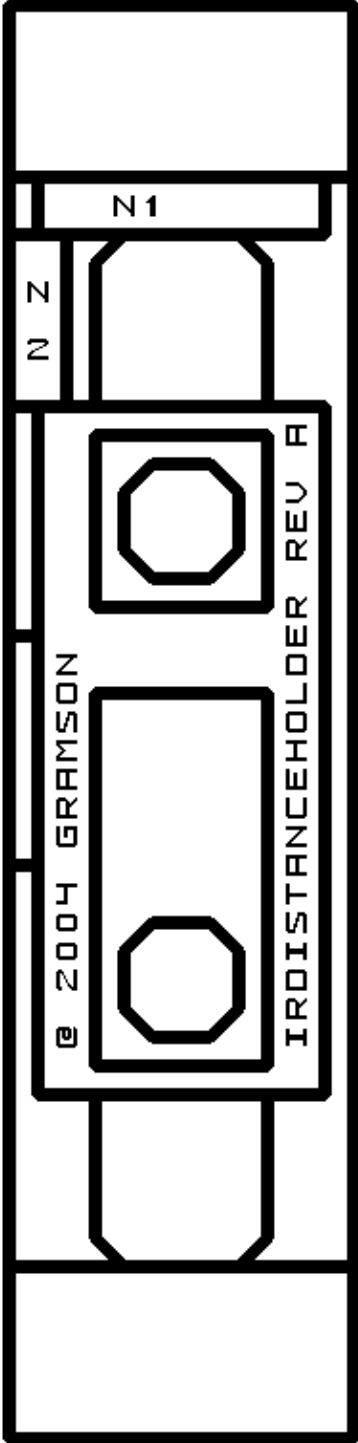
Any fabrication issues will be listed here.

Copyright (c) 2003–2004 by Wayne C. Gramlich. All rights reserved.

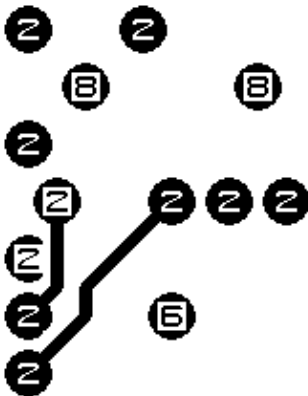
A. Appendix A: Parts List

```
# Parts list for IRDistanceHolder (Rev. A)
#
N1: Header1x5.Slave - 1x5 Male Header [5/40 Jameco: 160881]
N2: Header1x3.IRDistanceHolder - 1x3 Male Header [3/40 Jameco: 160881]
#U3: GP2D120 - Sharp GP2D12 Analag Distance Unit [Acroname: R146-GP2D120]
```

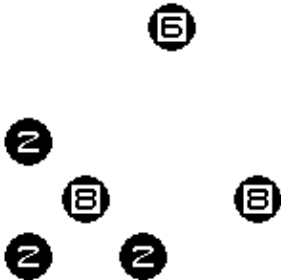
B. Appendix B: Artwork Layer



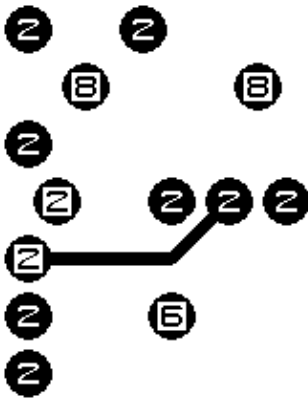
C. Appendix C: Back (Solder Side) Layer



SOLDER



D. Appendix D: Front (Component Side) Layer



COMPONENT

