

This is revision A of the [PIC Serial Adaptor Board Plug18 Plug](#) and it is currently a [work in progress](#).

EMDP1 PIC Serial Adaptor Plug18 Plug (Rev. A)

Table of Contents

- [Table of Contents](#)
- [Introduction](#)
- [Schematics](#)
- [Printed Circuit Board](#)
- [Issues](#)

Introduction

There is a [PDF version](#) of this file.

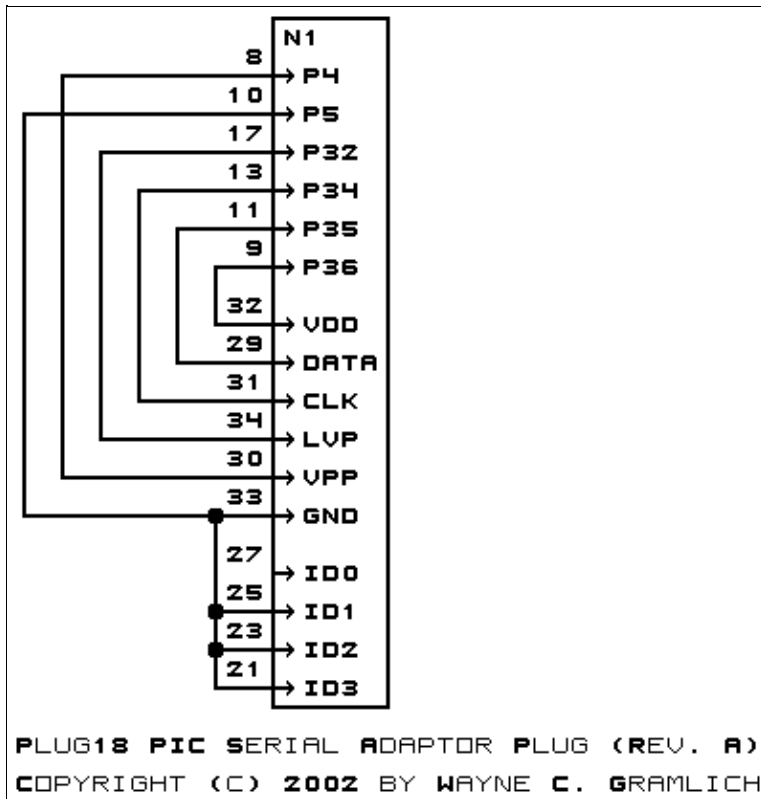
The PIC Serial Plug18 is used to program PIC microcontrollers that are in an 18-pin package. This includes the PIC16F84 and the PIC16F628.

The plug id for this plug is 0000 (=0).

Proc.	Class	Pkg.	Clk.	Data	V _{pp}	V _{dd} (+5V)	V _{ss} (Gnd)	LVP
Class C	C	18	34	35	4	36	5	32
16C6x/7x/9x, 16C715, 16C84, 16F8x, 16C55x	C	18	12 (34)	13 (35)	4	14 (36)	5	–
16F62x	C	18	12 (34)	13 (35)	4	14 (36)	5	10 (32)

Schematics

The schematic for the PIC Serial Adaptor is shown below:



The [parts list](#) is in a separate file.

Printed Circuit Board

The following files are available for the printed circuit board:

[plug18_artwork.png](#)

The Plug18 artwork (silk screen) layer.

[plug18_back.png](#)

The Plug18 back (component) layer.

[plug18_front.png](#)

The Plug18 front (solder) layer.

[plug18.gal](#)

The Plug18 RS274X `Gerber' file for the plug18 plug artwork (silk screen) layer.

[plug18.gbl](#)

The Plug18 RS274X `Gerber' file for the plug18 plug back (component) layer.

[plug18.gtl](#)

The Plug18 RS274X `Gerber' file for the plug18 plug front (solder) layer.

[plug18.gml](#)

The Plug18 RS274X `Gerber' file for the plug18 plug solder mask layer.

[plug18.drl](#)

The Plug18 `Excellon' drill file for the plug18 plug board.

[plug18.tol](#)

The Plug18 drill file rack for the plug18 plug board.

[plug18.ptl](#)

The Plug18 parts list (bill of materials).

Please note, for PIC serial plugs, the 2×17 male header goes on the back, and the soldering occurs on the front; this is opposite of what usually occurs.

Issues

Any fabrication issues will be listed here.

Copyright (c) 2002 by [Wayne C. Gramlich](#). All rights reserved.